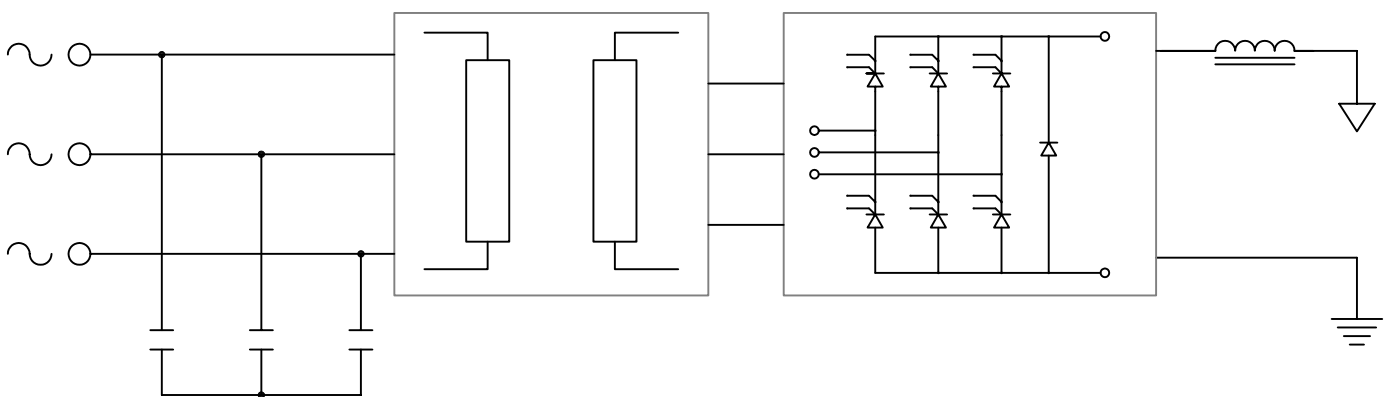
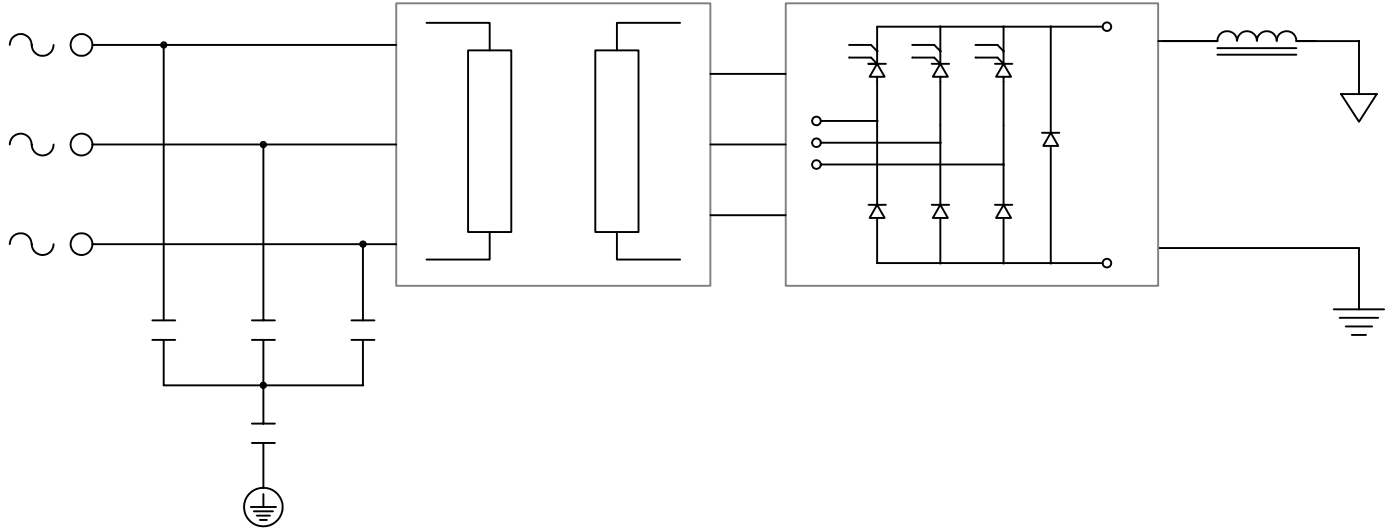
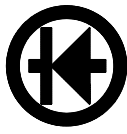


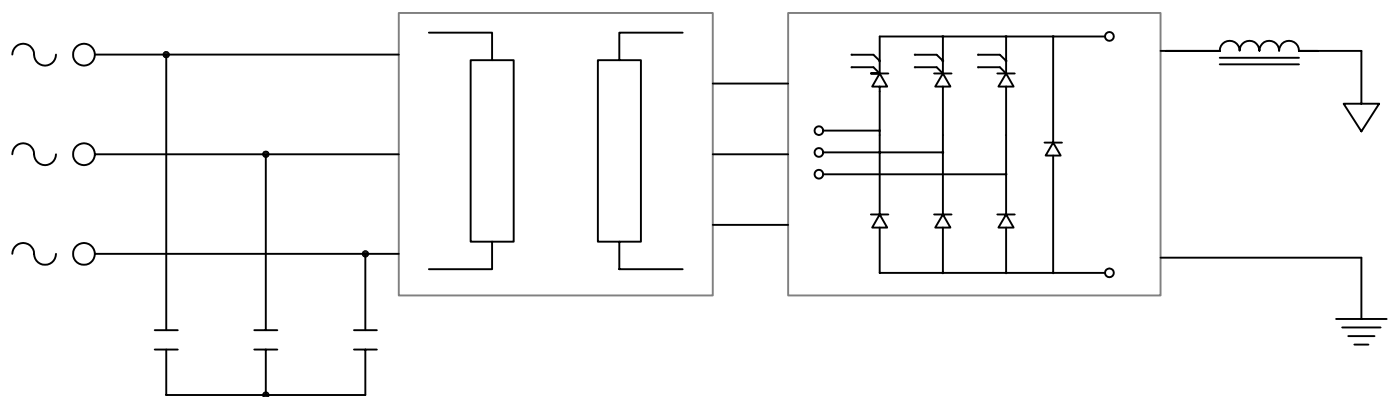
Type	Components
3C 0.47+0.01	0.47 $\mu$ F 275V(x2)+0.01 $\mu$ F 250V(y2)



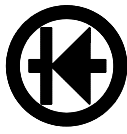
Type	Components
3C 0.47	0.47 $\mu$ F 275V(x2)



Type	Components
3C 1.0+0.01	1.0 $\mu$ F 275V(x2)+0.01 $\mu$ F 250V(y2)

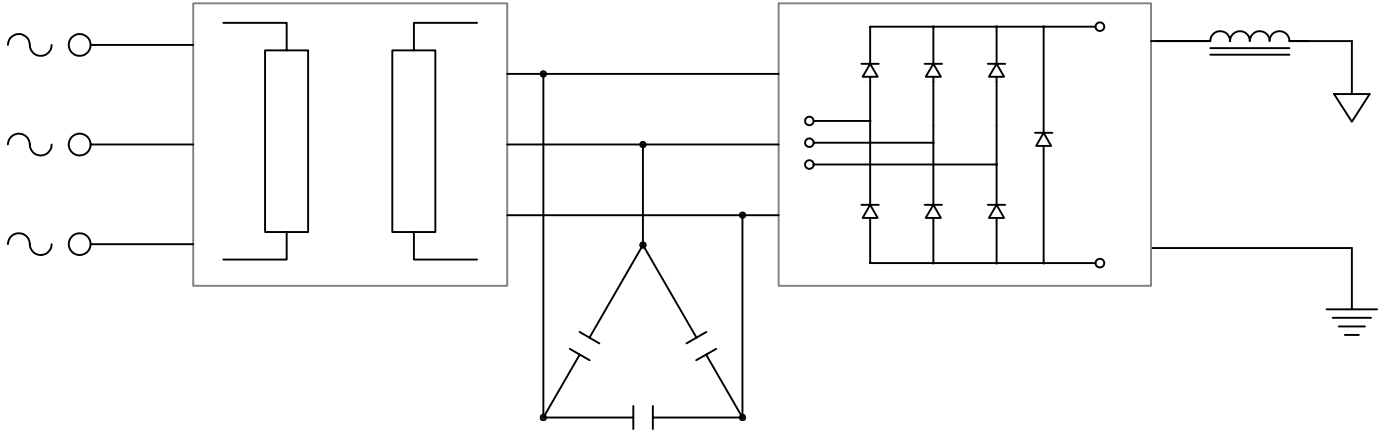


Type	Components
3C 1	1 $\mu$ F 275V(x2)



**S.CO.M.E.S.** S.R.L.  
SOCIETA' COSTRUZIONE MATERIALI  
ELETTRONICI E STRUMENTAZIONE

# EMC Filters for Pressfitted Diodes Rectifiers



Type	Components
3C 0.47	0.47 $\mu$ F 250V