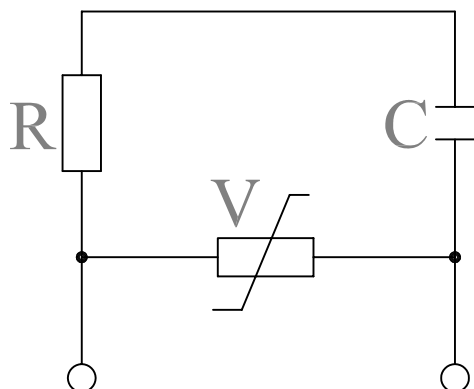
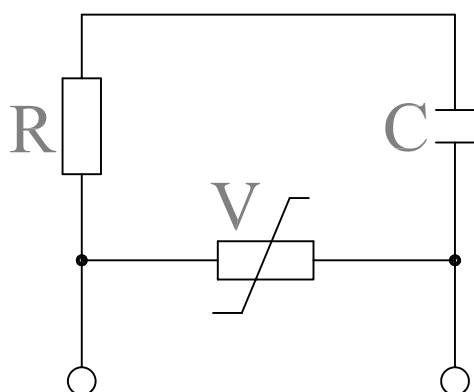


## Type: RCV1



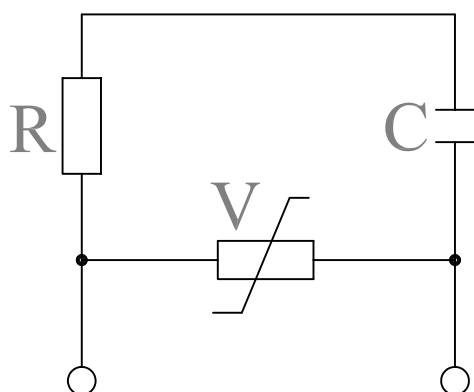
Type	Components
RCV1	R=22ohm
	C=0.47μF 250V
	V=V14K95

## Type: RCV2

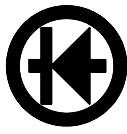


Type	Components
RCV2	R=22ohm
	C=0.47μF 250V
	V=V20K150

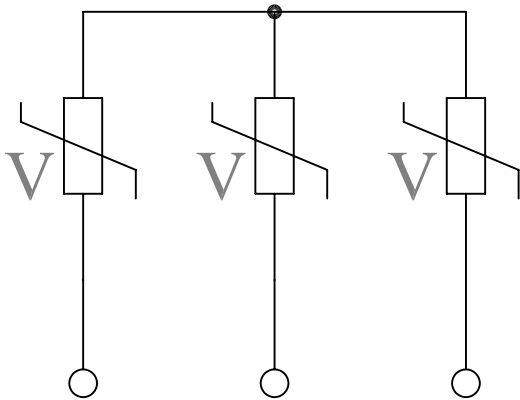
## Type: RCV3



Type	Components
RCV3	R=22ohm
	C=0.22μF 1KV
	V=V20K275

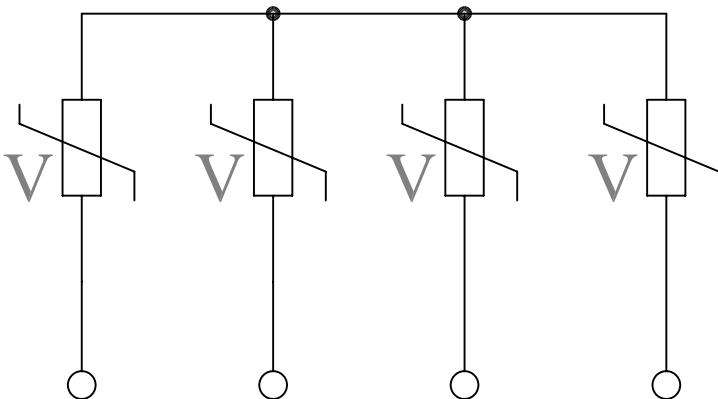


## Type: 3V



Type	Components
4V	4 x V20K150

## Type: 4V



Type	Components
4V	4 x V20K150