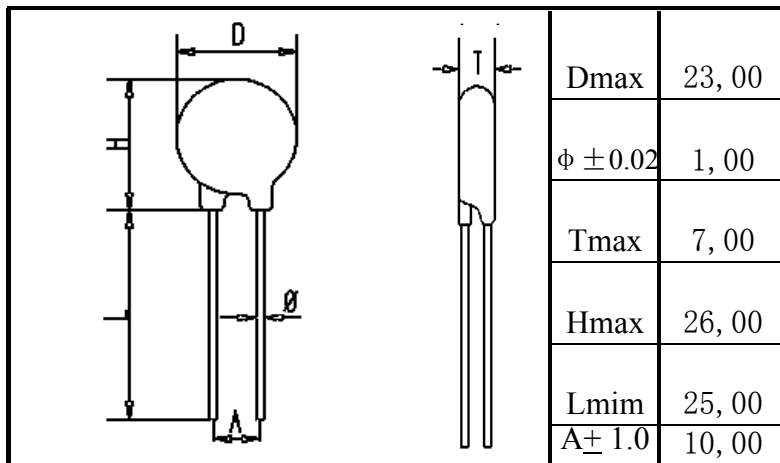


8/20uS

| Code | Varistor Voltage | Maximum Allowable Voltage | | Maximum Clamping Voltage Vc | Withstanding Surge Current | | Energy | | Rated Dissipation W | Typical Capacitance (1kHz) pF |
|---------|---------------------|---------------------------|--------|--------------------------------|----------------------------|------------|---------------------|---------|------------------------|-------------------------------------|
| | | AC (V) | DC (V) | | 1times (A) | 2times (A) | 10/1000 μ s (J) | 2ms (J) | | |
| 14D680K | 61-75 | 40 | 56 | 135 | 2000 | 1000 | 14,0 | 12,0 | 0,10 | 4700 |
| 14D151K | 135-165 | 95 | 124 | 250 | 6000 | 5000 | 40,0 | 25,0 | 0,60 | 3000 |
| 14D181K | 162-198 | 115 | 150 | 300 | 6000 | 5000 | 50,0 | 30,0 | 0,60 | 1030 |
| 14D241K | 216-264 | 150 | 200 | 395 | 6000 | 5000 | 63,0 | 40,0 | 0,60 | 710 |



8/20uS

| Code | Varistor Voltage | Maximum Allowable Voltage | | Maximum Clamping Voltage Vc | Withstanding Surge Current | | Energy | | Rated Dissipation W | Typical Capacitance (1kHz) pF |
|---------|---------------------|---------------------------|--------|--------------------------------|----------------------------|------------|---------------------|---------|------------------------|-------------------------------------|
| | | AC (V) | DC (V) | | 1times (A) | 2times (A) | 10/1000 μ s (J) | 2ms (J) | | |
| 20D241K | 216-264 | 150 | 200 | 395 | 10000 | 7000 | 108,0 | 80,0 | 1,00 | 1500 |
| 20D431K | 387-473 | 275 | 350 | 710 | 10000 | 6500 | 190,0 | 140,0 | 1,00 | 1100 |
| 20D681K | 612-748 | 420 | 560 | 1120 | 7500 | 6500 | 230,0 | 160,0 | 1,00 | 900 |
| 20D751K | 675-825 | 460 | 615 | 1240 | 7500 | 6500 | 255,0 | 175,0 | 1,00 | 850 |