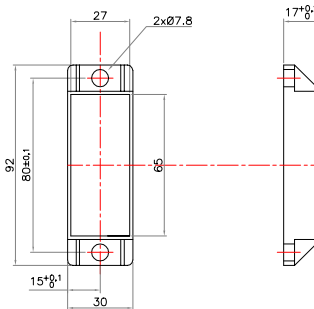


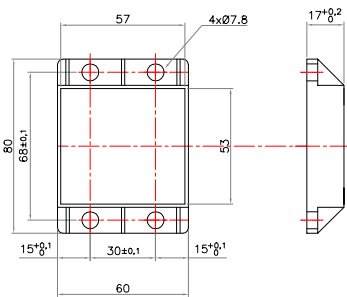
Code:
160052-00

1 MOD. P68 H17



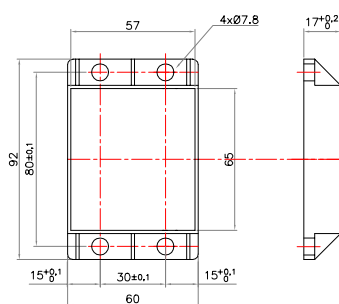
Code:
160235-00

1 MOD. P80 H17



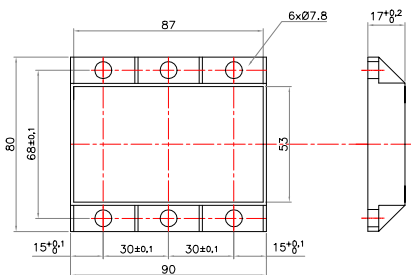
Code:
160231-00

2 MOD. P68 H17



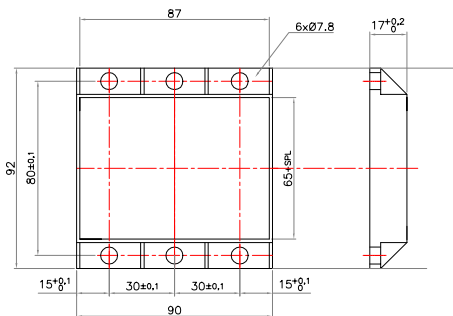
Code:
160236-00

2 MOD. P80 H17



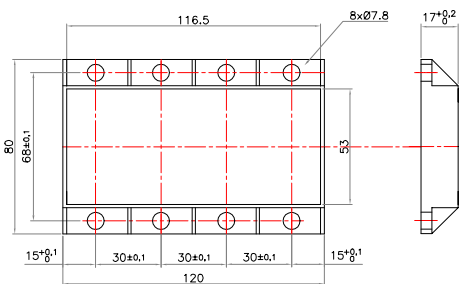
Code:
160232-00

3 MOD. P68 H17



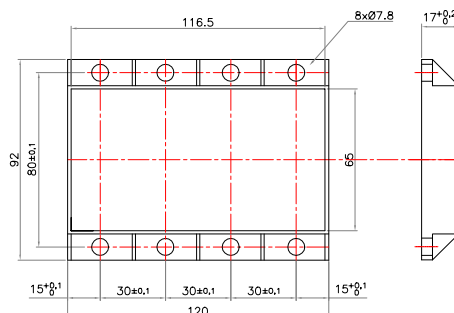
Code:
160237-00

3 MOD. P80 H17



Code:
160233-00

4 MOD. P68 H17



Code:
160238-00

4 MOD. P80 H17

X=Min. 3mm, IN ORDER TO PASS

THE INSULATION TEST

