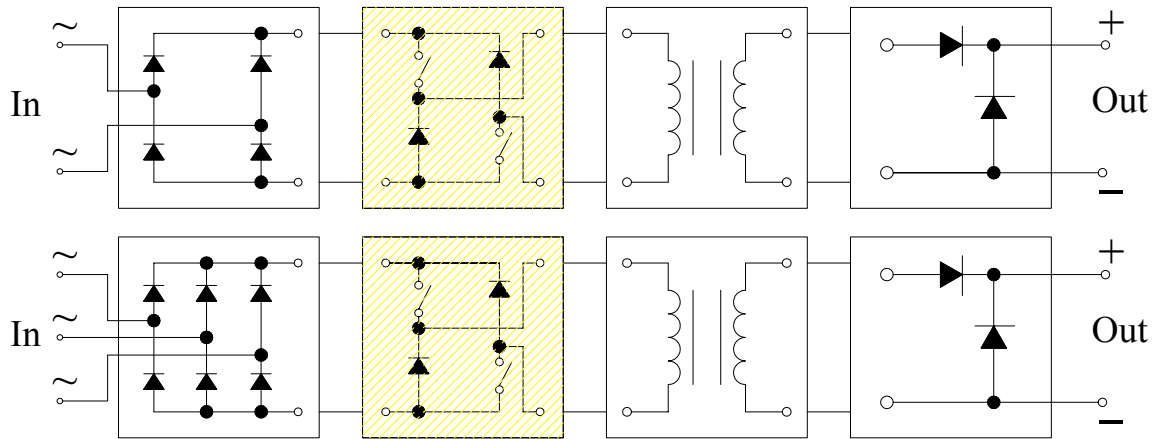


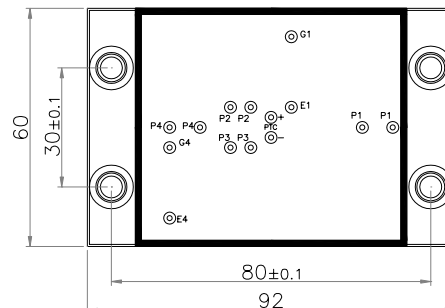
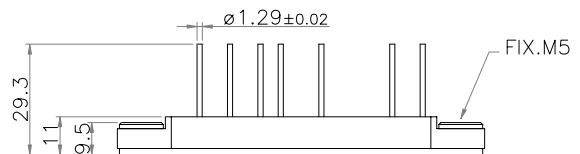
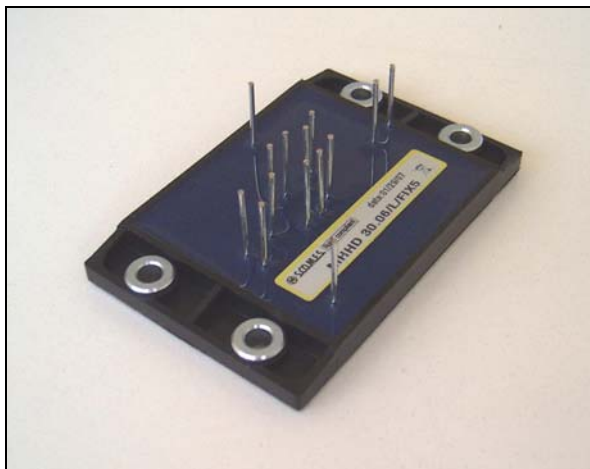
Modulo Inverter a Mezzo Ponte Half Bridge Inverter Module

Serie MHHD / Series MHHD



Tipo / Type	I _{out} A	V _{out} (Max) V	V _{rrm} V	R _{Tj-c} °C/W	Vac isol t=60sec V	IMS mm
MHHD 30.06/L/FIX5	30	350	600	Diode=1.27	2000	3
				IGBT=0.81		
MHHD 30.12/L/FIX5	30	600	1200	Diode=0.88	2000	3
				IGBT=0.94		

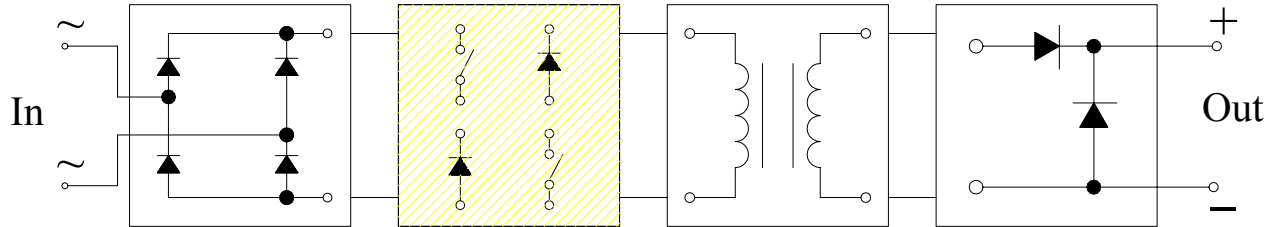
MHHD 30.06/L/FIX5 - MHHD 30.12/L/FIX5



Modulo Inverter a Mezzo Ponte Aperto

Half Open Bridge Inverter Module

Serie MHHD OP / Series MHHD OP



Tipo / Type	I _{out}	V _{out(Max)}	V _{rrm}	R _{Tj-c}	Vac isol t=60sec	IMS
	A	V	V	°C/W	V	mm
MHHD 30.06/L/FIX5 OP	30	350	600	Diode=1.27	2000	3
				IGBT=0.81		
MHHD 30.12/L/FIX5 OP	30	600	1200	Diode=0.88	2000	3
				IGBT=0.94		

MHHD 30.06/L/FIX5 OP - MHHD 30.12/L/FIX5 OP

