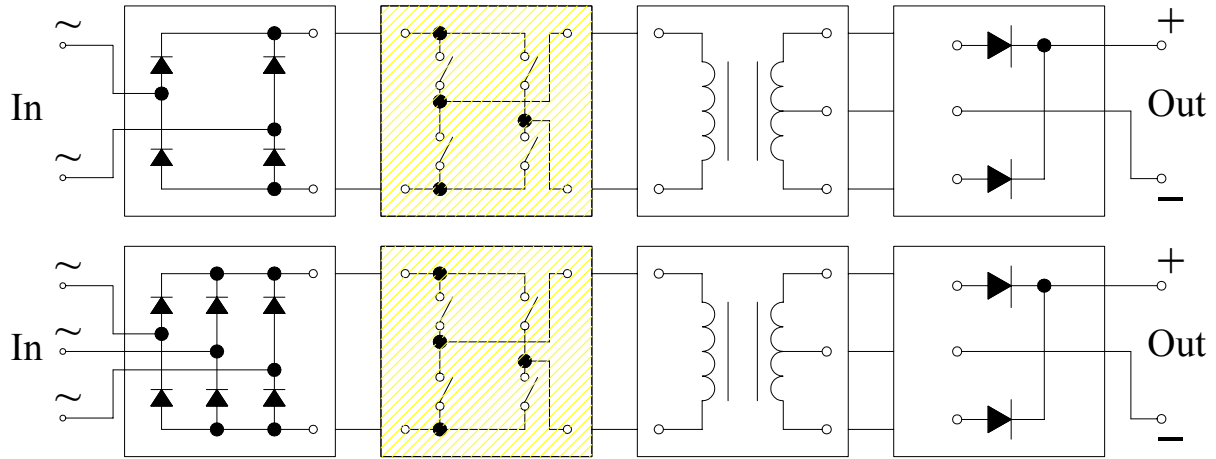


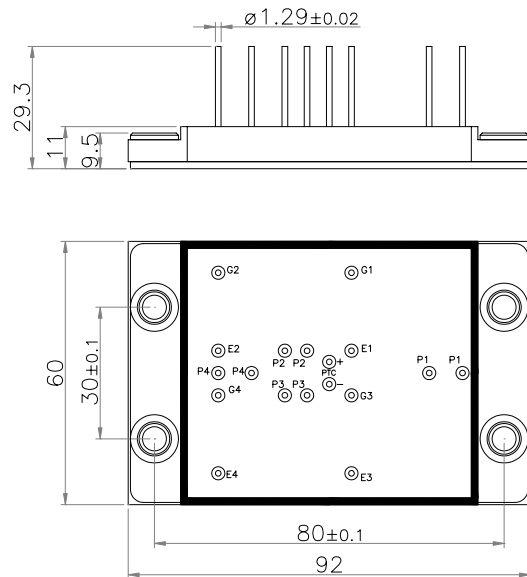
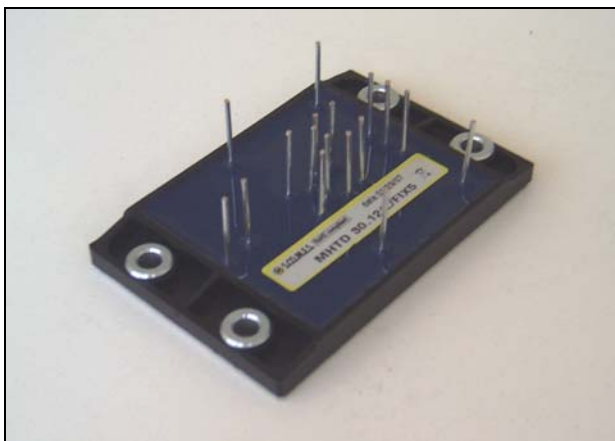
# Modulo Inverter a Ponte Intero Full Bridge Inverter Module

Serie MHTD / Series MHTD



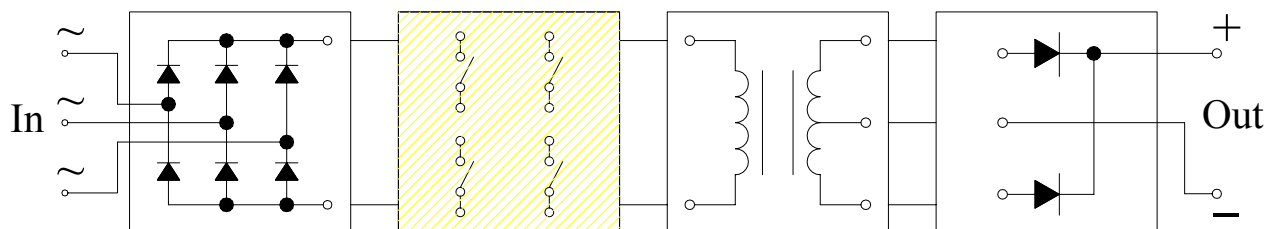
Tipo / Type	Iout	Vout(Max)	Vrrm	R <sub>Tj-c</sub>	Vac isol t=60sec	IMS
	A	V	V	°C/W	V	mm
MHTD 30.06/L/FIX5	30	350	600	IGBT=0.81	2000	3
MHTD 30.12/L/FIX5	30	600	1200	IGBT=0.94	2000	3

*MHTD 30.06/L/FIX5 - MHTD 30.12/L/FIX5*



# Modulo Inverter a Ponte Intero Aperto Full Open Bridge Inverter Module

Serie MHTD / Series MHTD



Tipo / Type	I <sub>out</sub>	V <sub>out(Max)</sub>	V <sub>rrm</sub>	R <sub>Tj-c</sub>	V <sub>ac isol</sub> t=60sec	IMS
	A	V	V	°C/W	V	mm
MHTD 30.06/L/FIX5 OP	30	350	600	IGBT=0.81	2000	3
MHTD 30.12/L/FIX5 OP	30	600	1200	IGBT=0.94	2000	3

*MHTD 30.06/L/FIX5 OP - MHTD 30.12/L/FIX5 OP*

