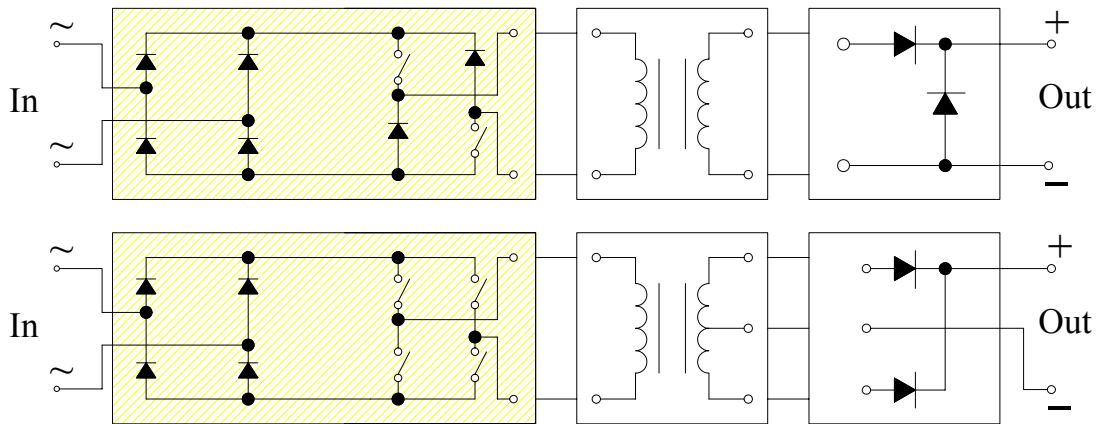


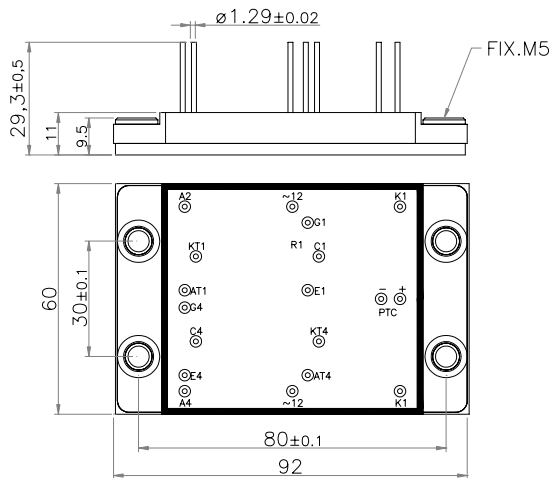
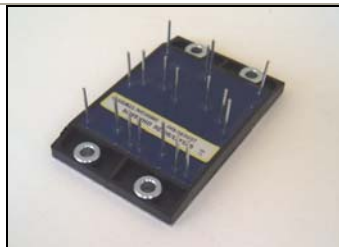
# Raddrizzatore a Ponte Monofase + Ponte per Inverter Power Single Phase Bridge + Half-Full Bridge Inverter Module

Serie MMSHHD-MMSHTD / Series MMSHHD-MMSHTD



Tipo / Type	I <sub>out</sub>	V <sub>out(Max)</sub>	V <sub>rrm</sub>	R <sub>Tj-c</sub>	Vac isol t=60sec	IMS
	A	V	V	°C/W	V	mm
MMSHHD 30.06/L/FIX5	30	350	600	Diode=1.27	2000	3
				IGBT=0.81		
MMSHTD 30.06/L/FIX5	30	350	600	IGBT=0.94	2000	3

**MMSHHD 30.06/L/FIX5**



**MMSHTD 30.06/L/FIX5**

