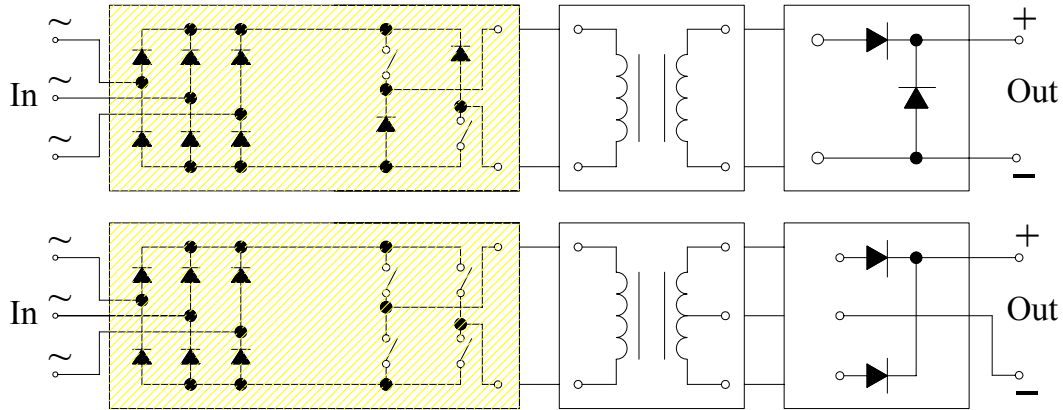


Raddrizzatore a Ponte Trifase + Ponte per Inverter Power Three Phase Bridge + Half-Full Bridge Inverter Module

Serie MTSHHD-MTSHTD / Series MTSHHD-MTSHTD



Tipo / Type	I _{out}	V _{out} (Max)	V _{rrm}	R _{Tj-c}	V _{ac isol} t=60sec	IMS
	A	V	V	°C/W	V	mm
MTSHHD 30.12/L/FIX5	30	600	1200	Diode=0.88	2000	3
				IGBT=0.94		
MTSHTD 30.12/L/FIX5	30	600	1200	IGBT=0.94	2000	3

MTSHHD 30.12/L/FIX5

MTSHTD 30.12/L/FIX5

