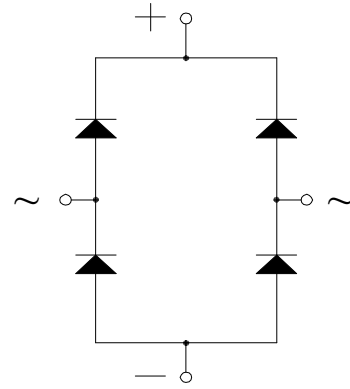


MMF80.04

POWER RECTIFIER BRIDGE

Output Current **80 A**



V_{RRM}	V_{RSM}	P/N
400	500	MMF80.04

Features

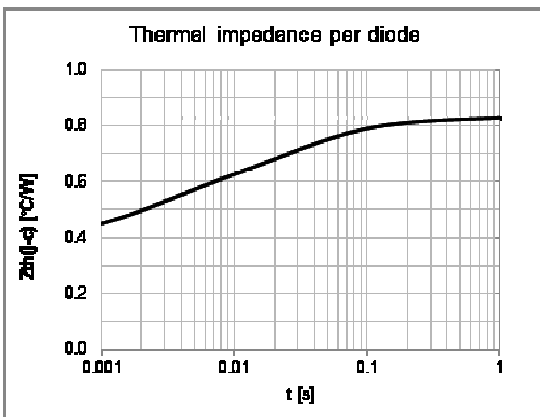
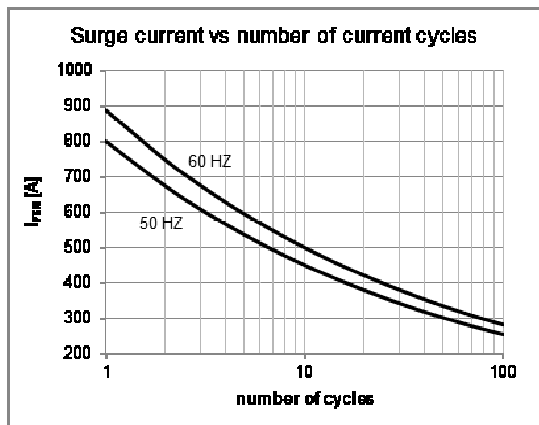
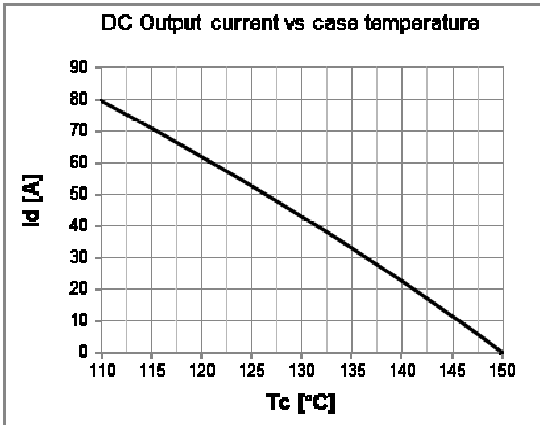
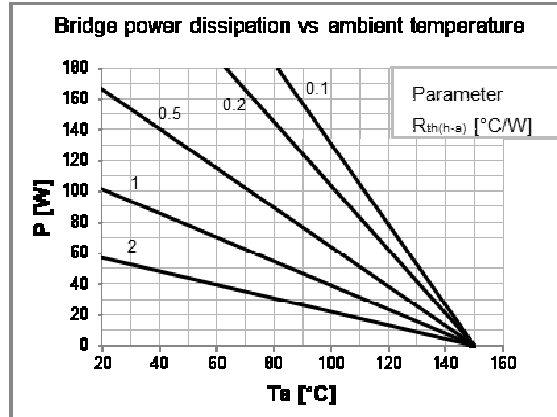
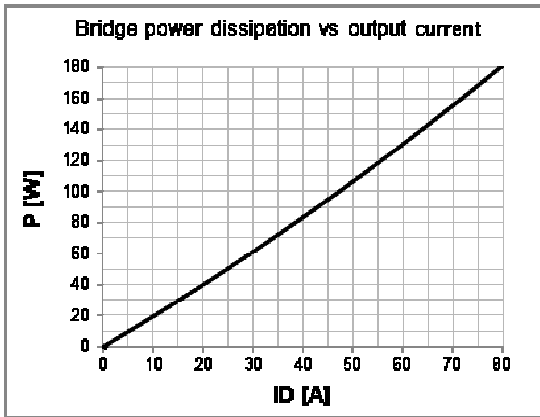
- Low forward voltage diodes for high surge capability
- Low thermal impedance packaging
- Electrically insulated case

Applications

- High frequency applicatin
- Battery charger rectifiers
- Single phase rectifier for power supplies
- Rectifiers for DC motor fields supplies

Diodes characteristics		Conditions	T_j [°C]	Value
I_{RRM}	Max repetitive peak reverse current	$V = V_{RRM}$	150	4 mA
$V_{F(TO)}$	Threshold voltage		150	0,95 V
r_F	Forward slope resistance		150	1,85 mΩ
V_{FM}	Peak forward voltage, max	$I_F = 80A$	25	1,2 V
I_{FSM}	Surge forward current	Half sine wave, 10 ms	150	800 A
I^2t	Max I^2t for fusing		150	3200 A ² s
T_{jmax}	Operating junction temperature			-40 / 150 °C
$R_{th(j-c)}$	Thermal resistance (junction to case)	DC operation		0,83 °C/W
$R_{th(j-c)}$	Thermal resistance (junction to case)	Rectangular wave 180° conduction		0,89 °C/W

Module characteristics		Conditions	Value
I_D	DC output current	$T_c = 110$ °C	80 A
I_D	DC output current	$T_a = 40$ °C ; freely suspended	8 A
V_{INS}	RMS Insulating voltage	50 / 60 Hz $t = 1$ s ($i < 1$ mA)	3600 V
V_{INS}	RMS Insulating voltage	50 / 60 Hz $t = 60$ s ($i < 1$ mA)	3000 V
$R_{th(j-c)}$	Thermal resistance (junction to case)	DC operation	0,208 °C/W
$R_{th(j-c)}$	Thermal resistance (junction to case)	Rect. wave 180° conduction	0,223 °C/W
$R_{th(c-h)}$	Thermal resistance (case to heatsink)	Mounting surface flat, smooth and greased	0,060 °C/W
$R_{th(j-a)}$	Thermal resistance (junction to ambient)	Freely suspended or mounted on an insulator	9,0 °C/W
$R_{th(j-a)}$	Thermal resistance (junction to ambient)	Mounted on a painted metal sheet 250x250x1 mm	3,8 °C/W
T_{stg}	Max storage temperature		150 °C
M_1	Mounting torque, ± 15 %		4,5 N·m 40 lb·inch
M_2	Terminal connection torque, ± 15 %		3,0 N·m 26 lb·inch



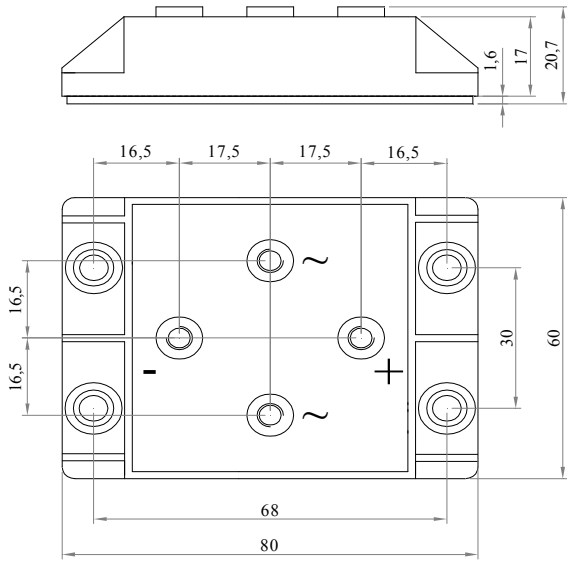


Fig.1

MMF80.04-SS5-FIX5-HP-P68-TA
Code:980000800000

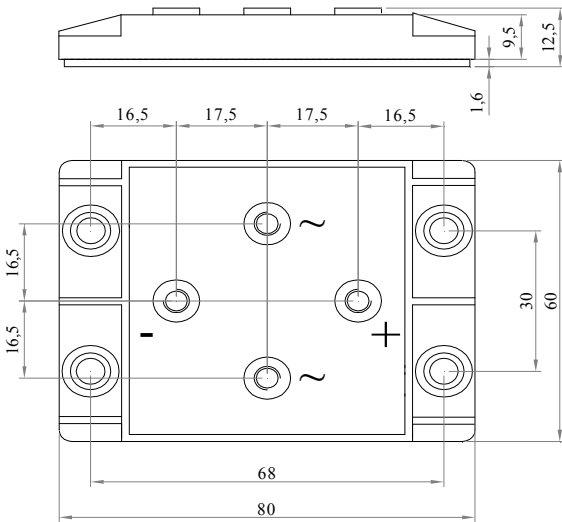


Fig.2

MMF80.04-SS5-FIX5-LP-P68-TA
Code:980000800001

Power fix:

SS=Screw (M5)

Mounting fix:

FIX= Ø5,5