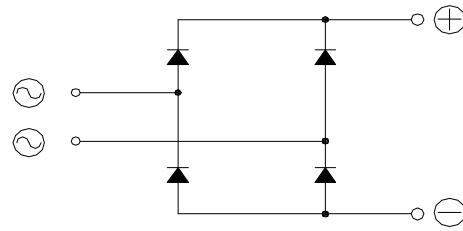


MMS55

POWER RECTIFIER BRIDGE

Output Current **55 A**



V_{RRM}	V_{RSM}	P/N
400	500	MMS55.04
600	700	MMS55.06
800	900	MMS55.08
1200	1300	MMS55.12
1600	1700	MMS55.16

Features

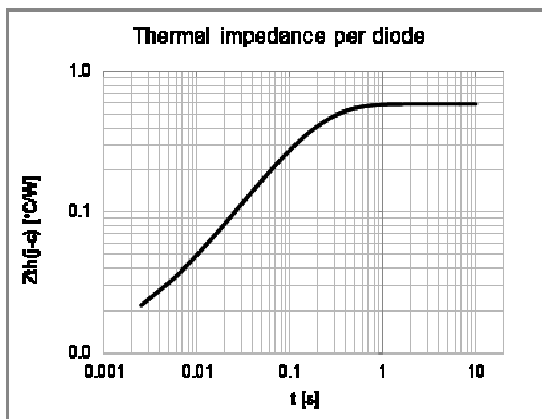
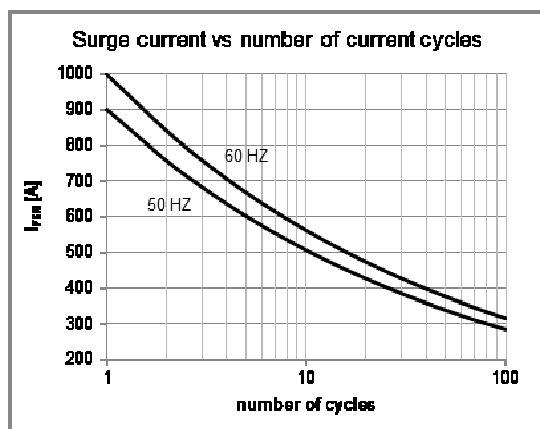
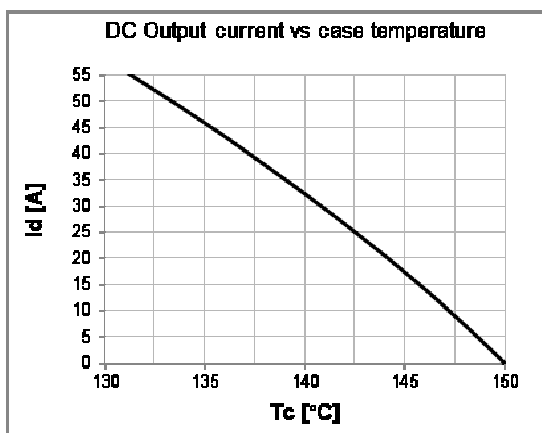
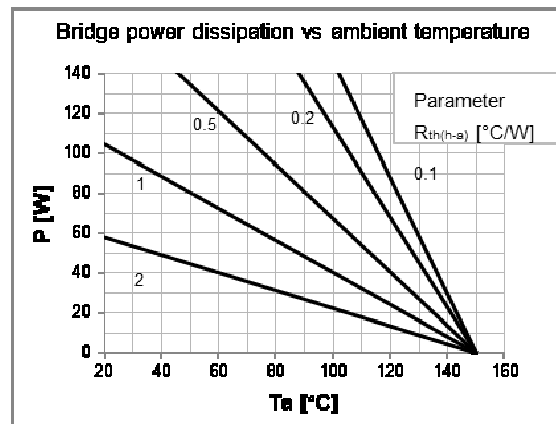
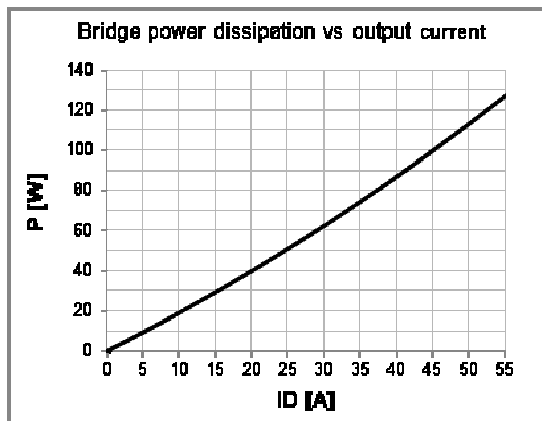
- Low forward voltage diodes for high surge capability
- Low thermal impedance packaging
- Electrically insulated case

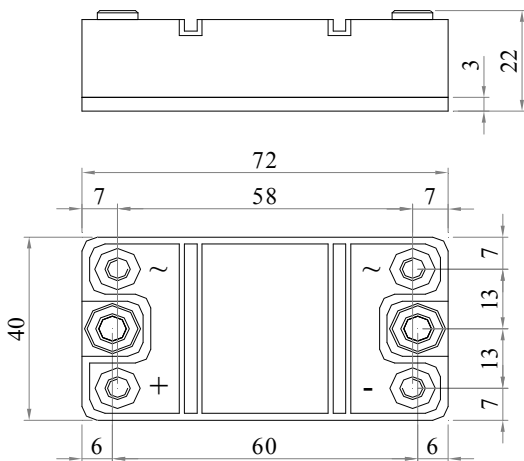
Applications

- Input rectifier for variable frequency drives
- Battery charger rectifiers
- Three phase rectifier for power supplies
- Rectifiers for DC motor fields supplies

Diodes characteristics		Conditions	T_j [°C]	Value
I_{RRM}	Max repetitive peak reverse current	$V = V_{RRM}$	150	4 mA
$V_{F(TO)}$	Threshold voltage		150	0,9 V
r_F	Forward slope resistance		150	3,7 mΩ
V_{FM}	Peak forward voltage, max	$I_F = 100A$	25	1,3 V
I_{FSM}	Surge forward current	Half sine wave, 10 ms	150	900 A
I^2t	Max I^2t for fusing		150	4050 A ² s
T_{jmax}	Operating junction temperature			-40 / 150 °C
$R_{th(j-c)}$	Thermal resistance (junction to case)	DC operation		0,53 °C/W
$R_{th(j-c)}$	Thermal resistance (junction to case)	Rectangular wave 180° conduction		0,59 °C/W

Module characteristics		Conditions	Value
I_D	DC output current	$T_c = 130$ °C	55 A
I_D	DC output current	$T_a = 40$ °C ; freely suspended	7 A
V_{INS}	RMS Insulating voltage	50 / 60 Hz $t = 1$ s ($i < 1$ mA)	3600 V
V_{INS}	RMS Insulating voltage	50 / 60 Hz $t = 60$ s ($i < 1$ mA)	3000 V
$R_{th(j-c)}$	Thermal resistance (junction to case)	DC operation	0,133 °C/W
$R_{th(j-c)}$	Thermal resistance (junction to case)	Rect. wave 180° conduction	0,147 °C/W
$R_{th(c-h)}$	Thermal resistance (case to heatsink)	Mounting surface flat, smooth and greased	0,096 °C/W
$R_{th(j-a)}$	Thermal resistance (junction to ambient)	Freely suspended or mounted on an insulator	9,0 °C/W
$R_{th(j-a)}$	Thermal resistance (junction to ambient)	Mounted on a painted metal sheet 250x250x1 mm	3,8 °C/W
T_{stg}	Max storage temperature		150 °C
M_1	Mounting torque, ± 15 %		4,5 N·m
			40 lb·inch
M_2	Terminal connection torque, ± 15 %		3,0 N·m
			26 lb·inch




Fig.1
MMS55.04-SS5-FIX5-HP-P60-TB

Code:960000550001

MMS55.06-SS5-FIX5-HP-P60-TB

Code:960000550003

MMS55.08-SS5-FIX5-HP-P60-TB

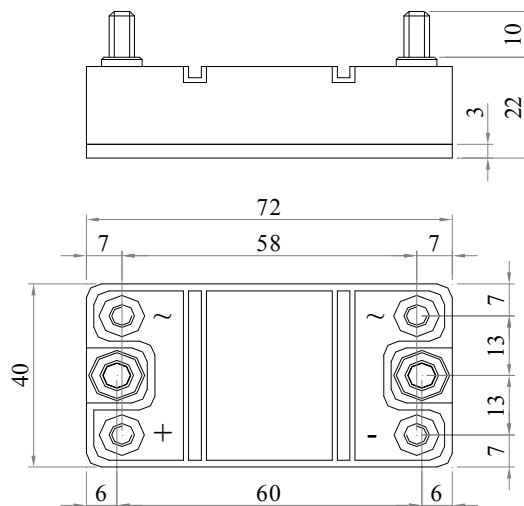
Code:960000550005

MMS55.12-SS5-FIX5-HP-P60-TB

Code:960000550007

MMS55.16-SS5-FIX5-HP-P60-TB

Code:960000550009


Fig.2
MMS55.04-MM5x10-FIX5-HP-P60-TB

Code:960000550000

MMS55.06-MM5x10-FIX5-HP-P60-TB

Code:960000550002

MMS55.08-MM5x10-FIX5-HP-P60-TB

Code:960000550004

MMS55.12-MM5x10-FIX5-HP-P60-TB

Code:960000550006

MMS55.16-MM5x10-FIX5-HP-P60-TB

Code:960000550008

Voltage:04=400V 06=600V 08=800V 12=1200V 16=1600V
Power fix:

SS=Screw (M5)

MM=Bolt (M5)

Mounting fix:

FIX= Ø5,5