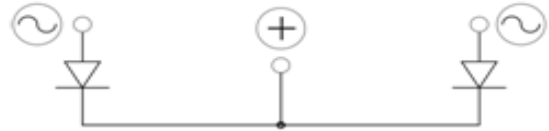


MKK300.06NI

NOT INSULATED FAST RECOVERY DIODE MODULE

Output Current **300 A**

Blocking Voltage **600 V**



V_{RRM} [V]	V_{RSM} [V]	V_{OUT} [V]	P/N
600	700	190	MKK300.06NI

Features

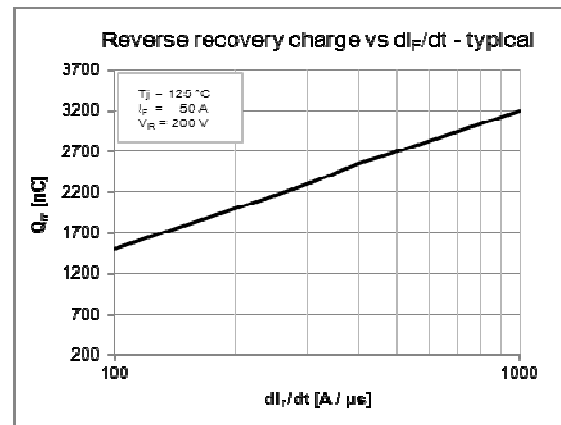
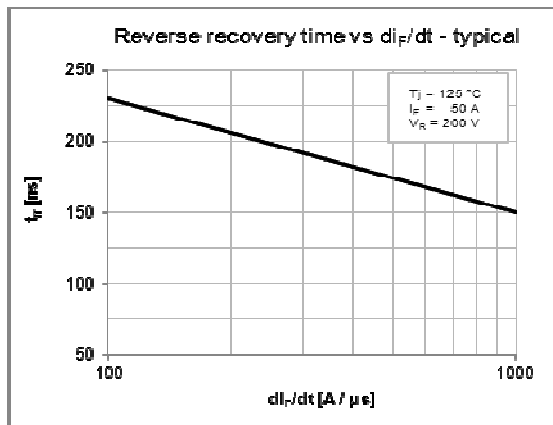
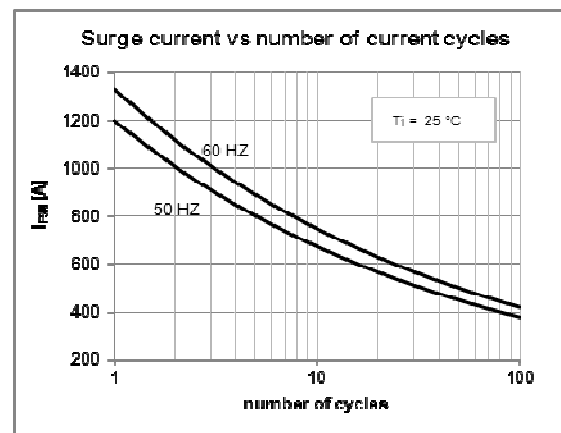
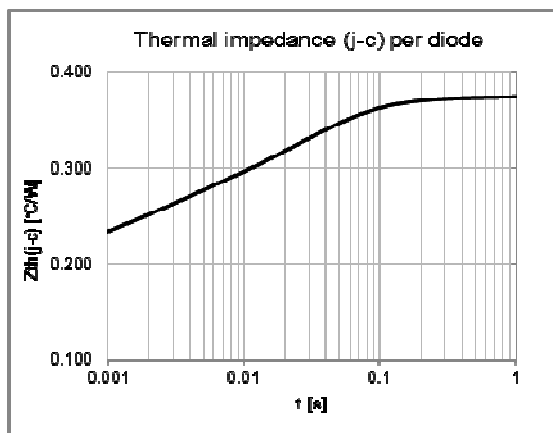
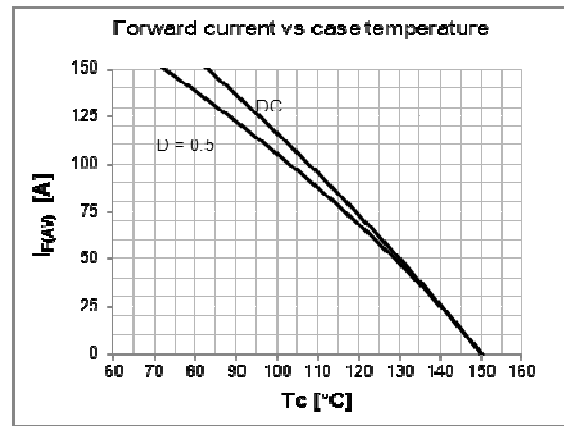
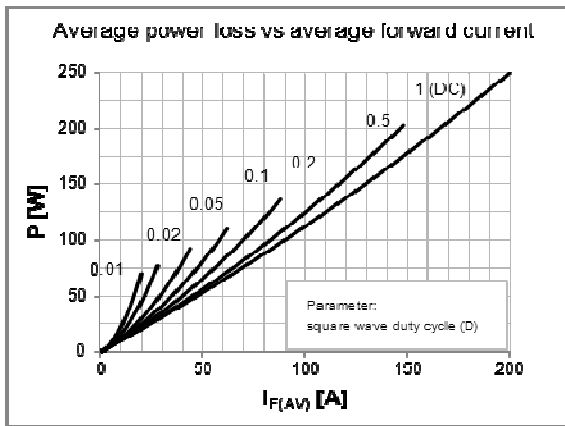
- Short recovery time
- Low switching losses
- Soft recovery behavior

Applications

- Antiparallel diode for high frequency switching devices
- Free-wheeling diode in converters or motor controllers
- Uninterruptible power supplies (UPS)
- Ultrasonic cleaners and welders

Diodes characteristics		Conditions	T_j [°C]	Value
$I_{F(AV)}$	Average forward current	$T_c = 73\text{ °C}$		150 A
I_{FRM}	Repetitive forward current, max	Square wave, 20 kHz		300 A
I_{RRM}	Max repetitive peak reverse current	$V = V_{RRM}$	150	4 mA
$V_{F(TO)}$	Threshold voltage		150	1 V
r_F	Forward slope resistance		150	1,3 mΩ
V_{FM}	Peak forward voltage, max	$I_F = 150\text{ A}$	150	1,43 V
I_{FSM}	Surge forward current	Half sine wave, 10 ms	25	1200 A
I^2t	Max I^2t for fusing		25	7200 A ² s
C_T	Junction capacitance, typ	$V = V_{RRM}$	25	70 pF
Q_{rr}	Reverse recovery charge, typ	$I_F = 50\text{ A}$	125	2400 nC
I_{rr}	Reverse recovery current, typ	$V_R = 200\text{ V}$		22 A
t_{rr}	Reverse recovery time, typ	$di_F / dt = 200\text{ A} / \mu\text{s}$		210 ns
T_{jmax}	Operating junction temperature			-40 / 150 °C
$R_{th(j-c)}$	Thermal resistance (junction to case)	DC operation		0,38 °C/W

Module characteristics		Conditions	Value
I_{OUT}	Output current (center tap connection)	$T_c = 86\text{ °C}$	300 A
$R_{th(c-h)}$	Thermal resistance (case to heatsink)	Mounting surface flat, smooth and greased	0,150 °C/W
T_{stg}	Max storage temperature		150 °C
W	Weight		115 g
M_1	Mounting torque, ± 15 %		5,5 N·m
			48 lb·inch
M_2	Terminal connection torque, ± 15 %		4,0 N·m
			35 lb·inch



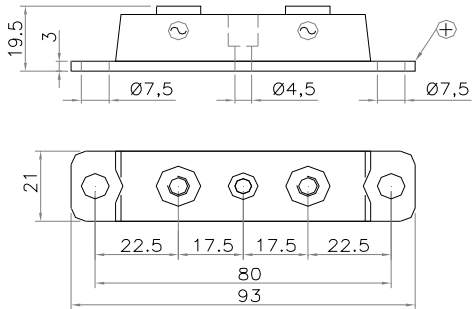


Fig.1 MKK300.06NI-SS6-FIX6-HP-P80-TE
Code:940003000122
Special Version:Cu Base: 3x21x93

Cu Base: 3x21x92

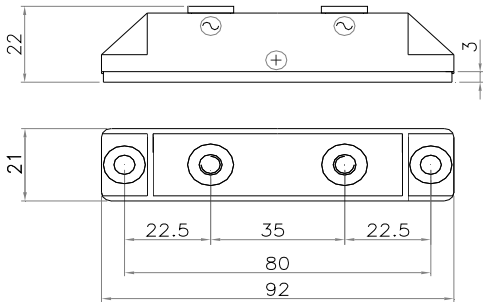


Fig.2 MKK300.06NI-SS6-FIX5-HP-P80-TA
Code:940003000119
MKK300.06NI-SS5-FIX5-HP-P80-TA
Code:940003000115

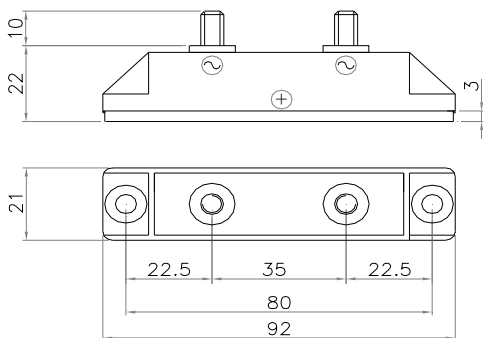


Fig.3 MKK300.06NI-MM6x10-FIX5-HP-P80-TA
Code:940003000099
MKK300.06NI-MM5x10-FIX5-HP-P80-TA
Code:940003000083

Power fix:
SS=Screw (M6 or M5)
MM=Bolt (M6 or M5)

Mounting fix:
FIX= Ø5,5
FIX= Ø7,5 (only Fig.1)

Profile:
HP=High Profile LP=Low Profile

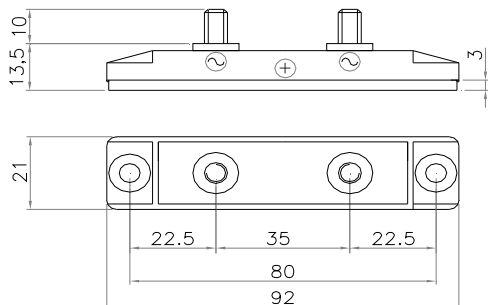


Fig.4 MKK300.06NI-MM6x10-FIX5-LP-P80-TA
 Code:940003000103
 MKK300.06NI-MM5x10-FIX5-LP-P80-TA
 Code:940003000087

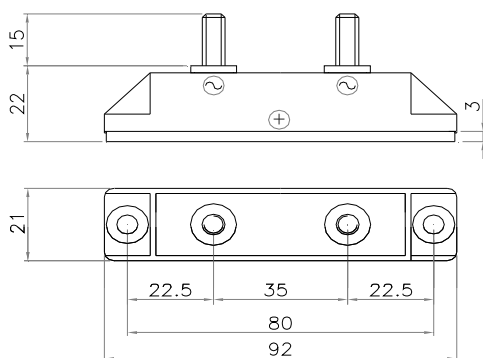


Fig.5 MKK300.06NI-MM6x15-FIX5-HP-P80-TA
 Code:940003000107
 MKK300.06NI-MM5x15-FIX5-HP-P80-TA
 Code:940003000091

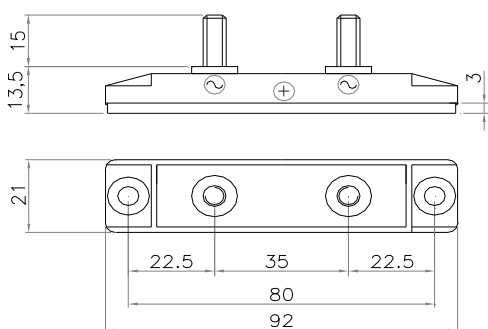


Fig.6 MKK300.06NI-MM6x15-FIX5-LP-P80-TA
 Code:940003000111
 MKK300.06NI-MM5x15-FIX5-LP-P80-TA
 Code:940003000095

Power fix:
 SS=Screw (M6 or M5)
 MM=Bolt (M6 or M5)

Mounting fix:
 FIX= Ø5,5

Profile:
 HP=High Profile LP=Low Profile

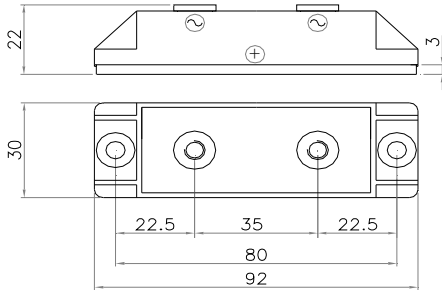


Fig.7 MKK300.06NI-SS6-FIX5-HP-P80-TA
 Code:940003000121
 MKK300.06NI-SS5-FIX5-HP-P80-TA
 Code:940003000117

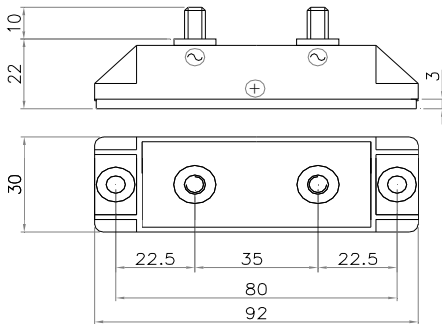


Fig.8 MKK300.06NI-MM6x10-FIX5-HP-P80-TA
 Code:940003000101
 MKK300.06NI-MM5x10-FIX5-HP-P80-TA
 Code:940003000085

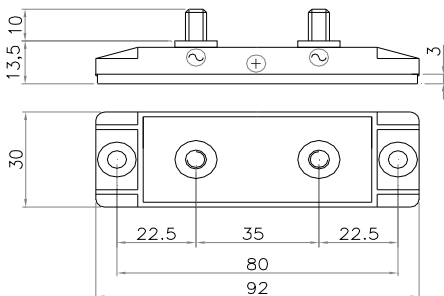


Fig.9 MKK300.06NI-MM6x10-FIX5-LP-P80-TA
 Code:940003000105
 MKK300.06NI-MM5x10-FIX5-LP-P80-TA
 Code:940003000089

Power fix:
 SS=Screw (M6 or M5)
 MM=Bolt (M6 or M5)

Mounting fix:
 FIX= Ø5,5

Profile:
 HP=High Profile LP=Low Profile

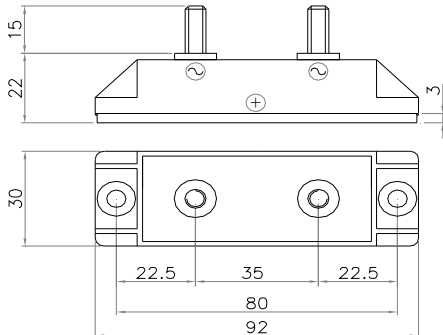


Fig.10 MKK300.06NI-MM6x15-FIX5-HP-P80-TA
 Code:940003000109
 MKK300.06NI-MM5x15-FIX5-HP-P80-TA
 Code:940003000093

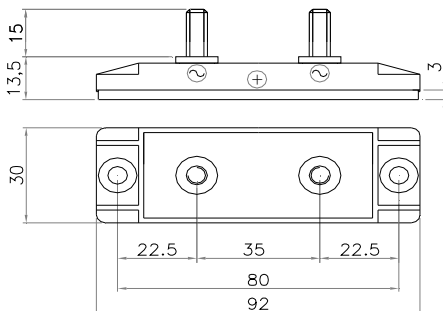


Fig.11 MKK300.06NI-MM6x15-FIX5-LP-P80-TA
 Code:940003000113
 MKK300.06NI-MM5x15-FIX5-LP-P80-TA
 Code:940003000097

Power fix:
 SS=Screw (M6 or M5)
 MM=Bolt (M6 or M5)

Mounting fix:
 FIX= \varnothing 5,5

Profile:
 HP=High Profile LP=Low Profile

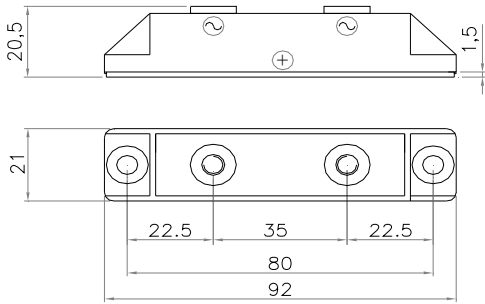


Fig.12 MKK300.06NI-SS6-FIX5-HP-P80-TA

Code:940003000118

MKK300.06NI-SS5-FIX5-HP-P80-TA

Code:940003000114

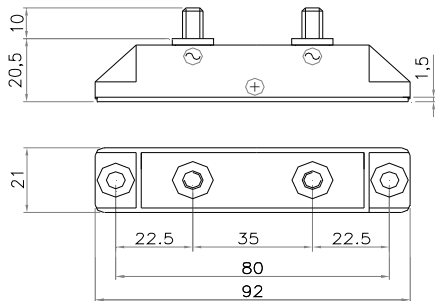


Fig.13 MKK300.06NI-MM6x10-FIX5-HP-P80-TA

Code:940003000098

MKK300.06NI-MM5x10-FIX5-HP-P80-TA

Code:940003000082

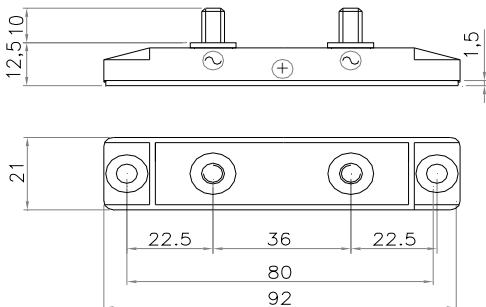


Fig.14 MKK300.06NI-MM6x10-FIX5-LP-P80-TA

Code:940003000102

MKK300.06NI-MM5x10-FIX5-LP-P80-TA

Code:940003000086

Power fix:
 SS=Screw (M6 or M5)
 MM=Bolt (M6 or M5)

Mounting fix:
 FIX= Ø5,5

Profile:
 HP=High Profile LP=Low Profile

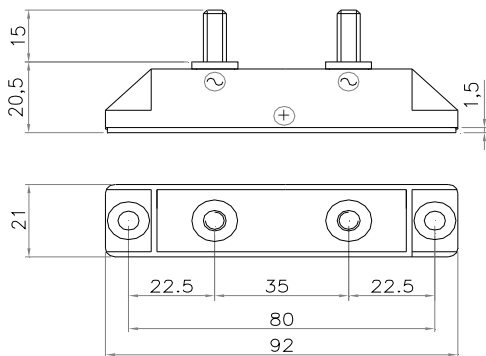


Fig.15 MKK300.06NI-MM6x15-FIX5-HP-P80-TA
 Code:940003000106
 MKK300.06NI-MM5x15-FIX5-HP-P80-TA
 Code:940003000090

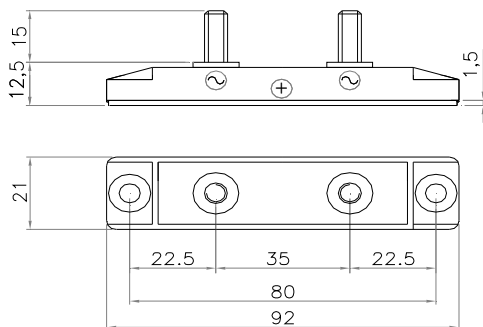


Fig.16 MKK300.06NI-MM6x15-FIX5-LP-P80-TA
 Code:940003000110
 MKK300.06NI-MM5x15-FIX5-LP-P80-TA
 Code:940003000094

Power fix:
 SS=Screw (M6 or M5)
 MM=Bolt (M6 or M5)

Mounting fix:
 FIX= Ø5,5

Profile:
 HP=High Profile LP=Low Profile

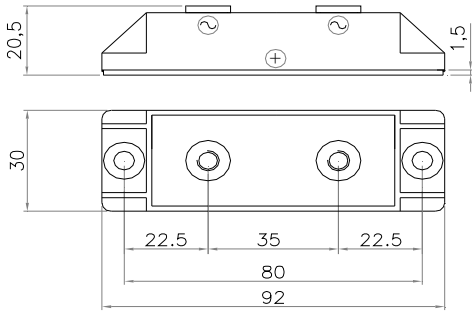


Fig.17 MKK300.06NI-SS6-FIX5-HP-P80-TA
 Code:940003000120
 MKK300.06NI-SS5-FIX5-HP-P80-TA
 Code:940003000116

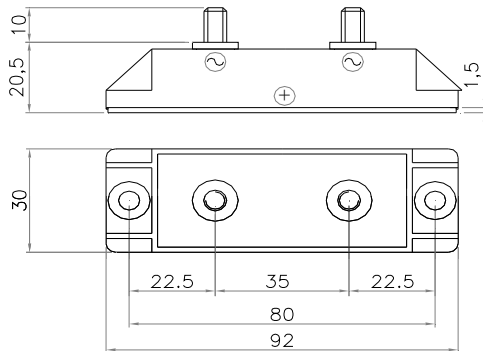


Fig.18 MKK300.06NI-MM6x10-FIX5-HP-P80-TA
 Code:940003000100
 MKK300.06NI-MM5x10-FIX5-HP-P80-TA
 Code:940003000084

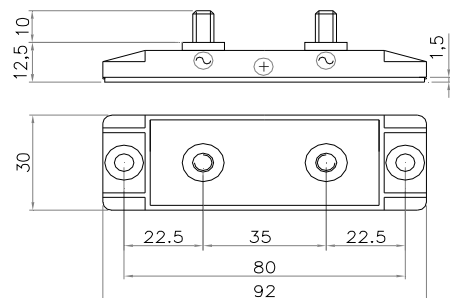


Fig.19 MKK300.06NI-MM6x10-FIX5-LP-P80-TA
 Code:940003000104
 MKK300.06NI-MM5x10-FIX5-LP-P80-TA
 Code:940003000088

Power fix:
 SS=Screw (M6 or M5)
 MM=Bolt (M6 or M5)

Mounting fix:
 FIX= Ø5,5

Profile:
 HP=High Profile LP=Low Profile

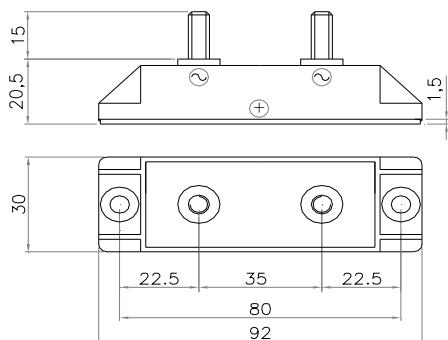


Fig.20 MKK300.06NI-MM6x15-FIX5-HP-P80-TA
 Code:940003000108
 MKK300.06NI-MM5x15-FIX5-HP-P80-TA
 Code:940003000092

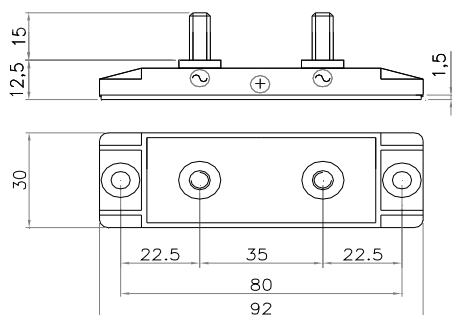


Fig.21 MKK300.06NI-MM6x15-FIX5-LP-P80-TA
 Code:940003000112
 MKK300.06NI-MM5x15-FIX5-LP-P80-TA
 Code:940003000096

Power fix:
 SS=Screw (M6 or M5)
 MM=Bolt (M6 or M5)

Mounting fix:
 FIX= Ø5,5

Profile:
 HP=High Profile LP=Low Profile