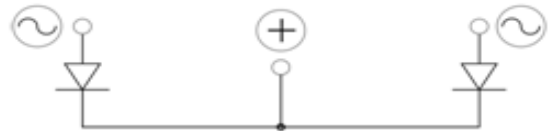


MKK600.02NI

NOT INSULATED FAST RECOVERY DIODE MODULE

Output Current **600 A**

Blocking Voltage **200 V**



V_{RRM} [V]	V_{RSM} [V]	V_{OUT} [V]	P/N
200	300	65	MKK600.02 NI

Features

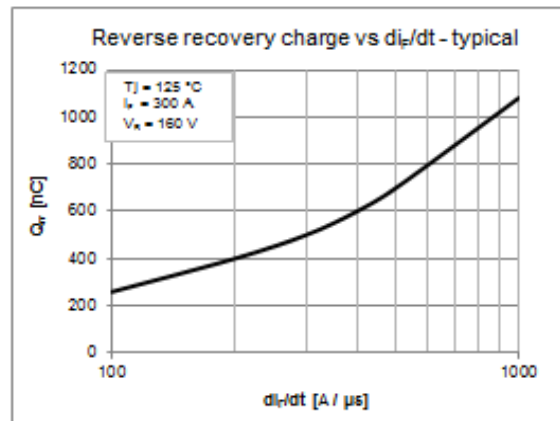
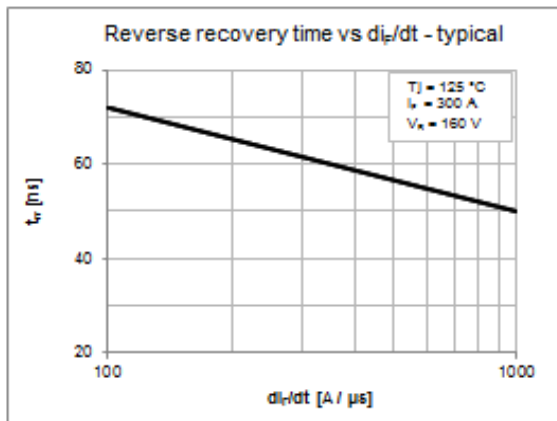
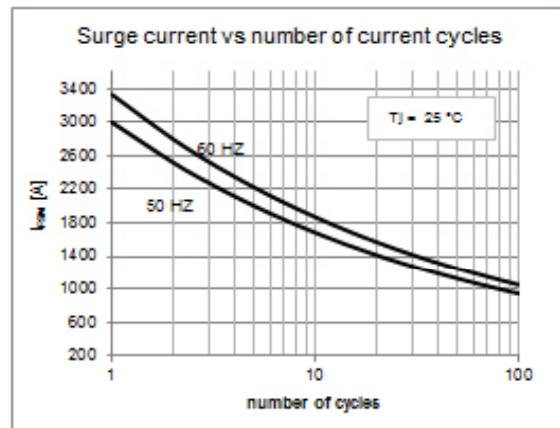
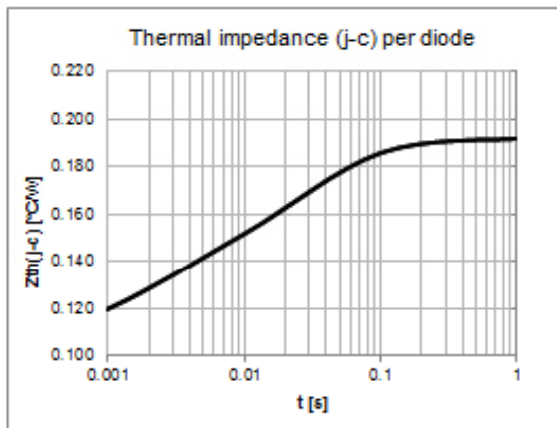
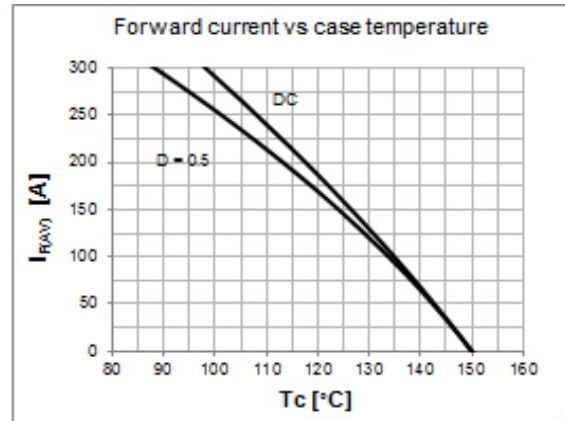
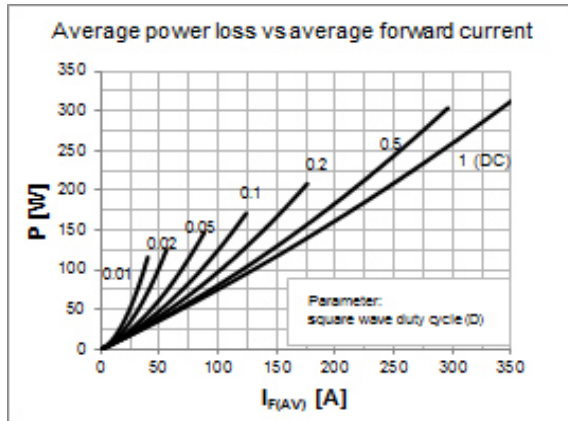
- Short recovery time
- Low switching losses
- Soft recovery behavior

Applications

- Antiparallel diode for high frequency switching devices
- Free-wheeling diode in converters or motor controllers
- Uninterruptible power supplies (UPS)
- Ultrasonic cleaners and welders

Diodes characteristics		Conditions	T_j [°C]	Value
$I_{F(AV)}$	Average forward current	$T_c = 88\text{ °C}$		300 A
I_{FRM}	Repetitive forward current, max	Square wave, 20 kHz		500 A
I_{RRM}	Max repetitive peak reverse current	$V = V_{RRM}$	150	2 mA
$V_{F(TO)}$	Threshold voltage		150	0,7 V
r_F	Forward slope resistance		150	0,6 mΩ
V_{FM}	Peak forward voltage, max	$I_F = 300\text{ A}$	150	1,1 V
I_{FSM}	Surge forward current	Half sine wave, 10 ms	25	3000 A
I^2t	Max I^2t for fusing		25	45000 A ² s
C_T	Junction capacitance, typ	$V = V_{RRM}$	25	360 pF
Q_{rr}	Reverse recovery charge, typ	$I_F = 300\text{ A}$	125	400 nC
I_{rr}	Reverse recovery current, typ	$V_R = 160\text{ V}$		13 A
t_{rr}	Reverse recovery time, typ	$di_F / dt = 200\text{ A} / \mu\text{s}$		65 ns
T_{jmax}	Operating junction temperature			-40 / 150 °C
$R_{th(j-c)}$	Thermal resistance (junction to case)			0,20 °C/W

Module characteristics		Conditions	Value
I_{OUT}	Output current (center tap connection)	$T_c = 88\text{ °C}$	600 A
$R_{th(c-h)}$	Thermal resistance (case to heatsink)	Mounting surface flat, smooth and greased	0,150 °C/W
T_{stg}	Max storage temperature		150 °C
W	Weight		115 g
M_1	Mounting torque, ± 15 %		5,5 N·m
			48 lb·inch
M_2	Terminal connection torque, ± 15 %		4,0 N·m
			35 lb·inch



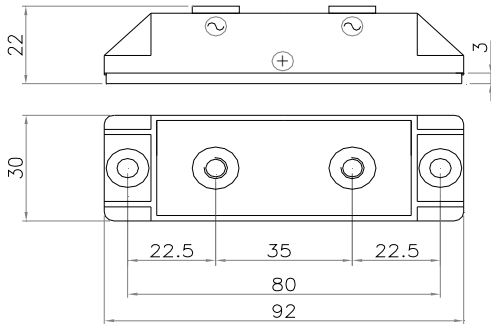


Fig.1 MKK600.02NI-SS6-FIX5-HP-P80-TA

Code:940006000019

MKK600.02NI-SS5-FIX5-HP-P80-TA

Code:940006000017

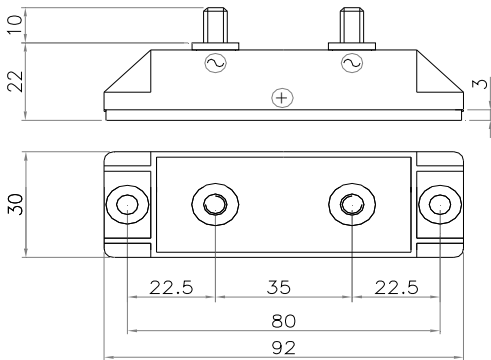


Fig.2 MKK600.02NI-MM6x10-FIX5-HP-P80-TA

Code:940006000009

MKK600.02NI-MM5x10-FIX5-HP-P80-TA

Code:940006000001

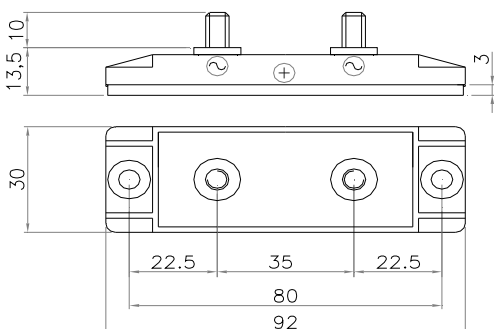


Fig.3 MKK600.02NI-MM6x10-FIX5-LP-P80-TA

Code:940006000011

MKK600.02NI-MM5x10-FIX5-LP-P80-TA

Code:940006000003

Power fix:
 SS=Screw (M6 or M5)
 MM=Bolt (M6 or M5)

Mounting fix:
 FIX= Ø5,5

Profile:
 HP=High Profile LP=Low Profile

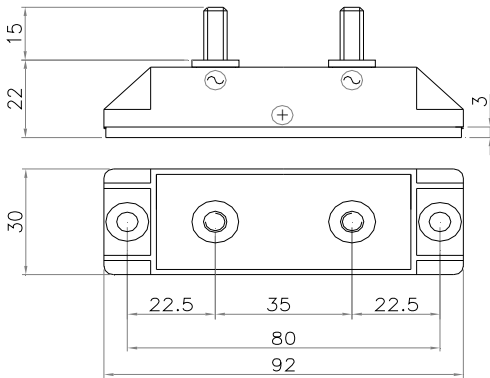


Fig.4 MKK600.02NI-MM6x15-FIX5-HP-P80-TA
 Code:940006000013
 MKK600.02NI-MM5x15-FIX5-HP-P80-TA
 Code:940006000005

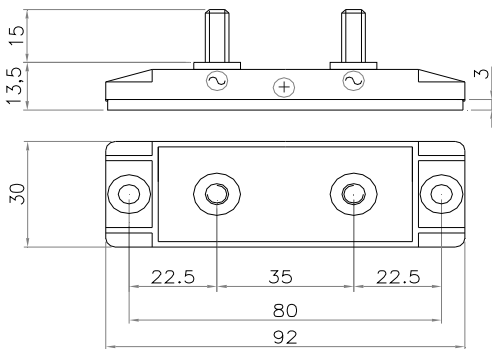


Fig.5 MKK600.02NI-MM6x15-FIX5-LP-P80-TA
 Code:940006000015
 MKK600.02NI-MM5x15-FIX5-LP-P80-TA
 Code:940006000007

Power fix:
 SS=Screw (M6 or M5)
 MM=Bolt (M6 or M5)

Mounting fix:
 FIX= Ø5,5

Profile:
 HP=High Profile LP=Low Profile

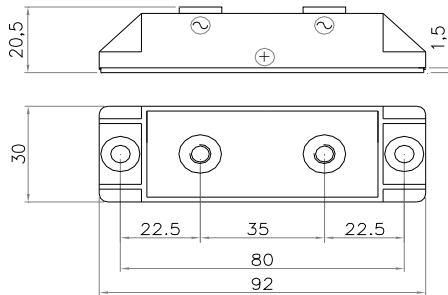


Fig.6 MKK600.02NI-SS6-FIX5-HP-P80-TA
 Code:940006000018
 MKK600.02NI-SS5-FIX5-HP-P80-TA
 Code:940006000016

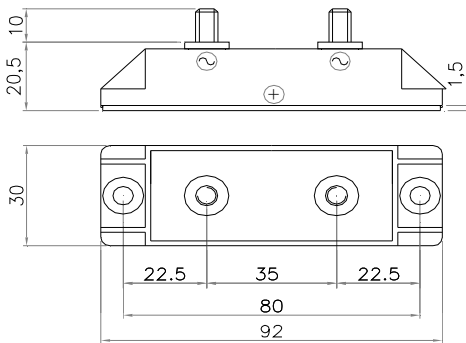


Fig.7 MKK600.02NI-MM6x10-FIX5-HP-P80-TA
 Code:940006000008
 MKK600.02NI-MM5x10-FIX5-HP-P80-TA
 Code:940006000000

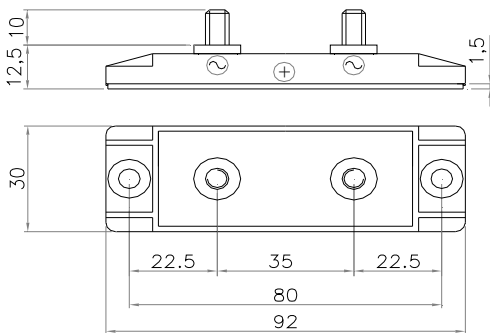


Fig.8 MKK600.02NI-MM6x10-FIX5-LP-P80-TA
 Code:940006000010
 MKK600.02NI-MM5x10-FIX5-LP-P80-TA
 Code:940006000002

Power fix:
 SS=Screw (M6 or M5)
 MM=Bolt (M6 or M5)

Mounting fix:
 FIX= Ø5,5

Profile:
 HP=High Profile LP=Low Profile

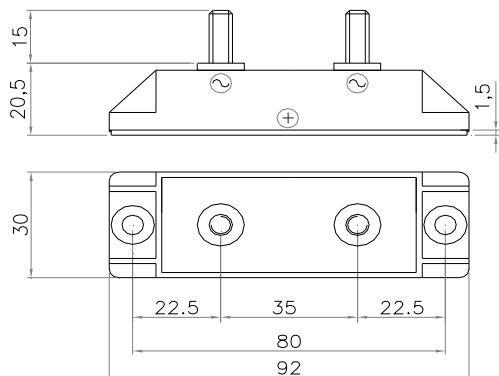


Fig.9 MKK600.02NI-MM6x15-FIX5-HP-P80-TA
 Code:940006000012
 MKK600.02NI-MM5x15-FIX5-HP-P80-TA
 Code:940006000004

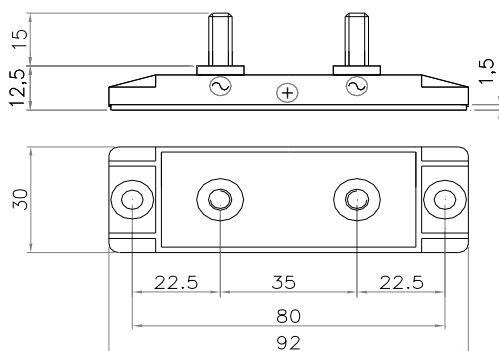


Fig.10 MKK600.02NI-MM6x15-FIX5-LP-P80-TA
 Code:940006000014
 MKK600.02NI-MM5x15-FIX5-LP-P80-TA
 Code:940006000006

Power fix:

SS=Screw (M6 or M5)
 MM=Bolt (M6 or M5)

Mounting fix:

FIX= Ø5,5

Profile:

HP=High Profile LP=Low Profile