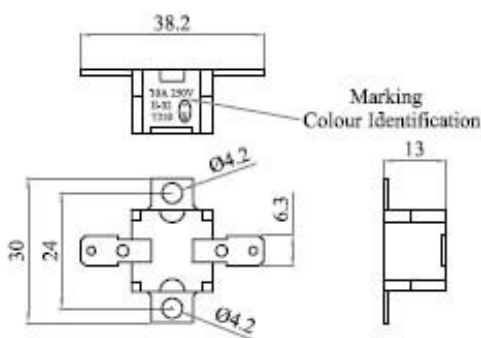


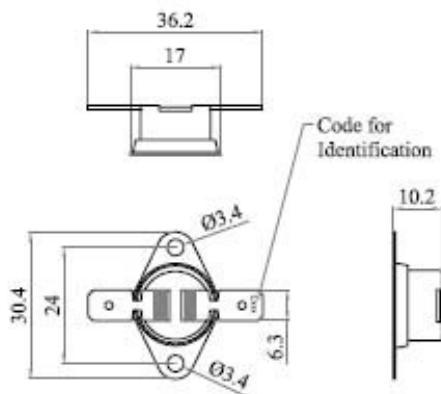
Termostati/Thermostats

Corpo ceramico/ Ceramic case



Type	S.CO.M.E.S. Part Number	Type of marking: Colour identification	Type Contact
50°C	860012-00	RED	Normally Open 10A 250V
75°C	860006-00	BROWN	Normally Closed 10A 250V
90°C	860015-00	BLEU	Normally Closed 10A 250V
100°C	860013-00	BLACK	Normally Closed 10A 250V
115°C	860014-00	GREEN	Normally Closed 10A 250V

Corpo Plastico/Plastic case



Type	S.CO.M.E.S. Part Number	Type of marking: Code on the faston	Type Contact
50°C	860009-00	C162	Normally Closed 10A 250V
50°C	860002-00	C362	Normally Open 10A 250V
63°C	860016-00	C169	Normally Closed 10A 250V
80°C	860011-00	C176	Normally Closed 10A 250V
80°C	860019-00	D167 (4KV)	Normally Open 10A 250V
90°C	860020-00	D177 (4KV)	Normally Open 10A 250V
90°C	860001-00	C179	Normally Closed 10A 250V
100°C	86003-00	C183	Normally Closed 10A 250V
115°C	860005-00	115C	Normally Closed 10A 250V