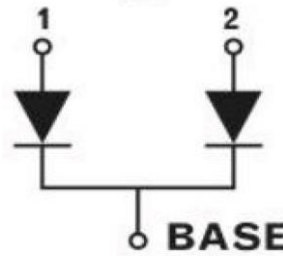


MKK400.06

FRED module

Features:

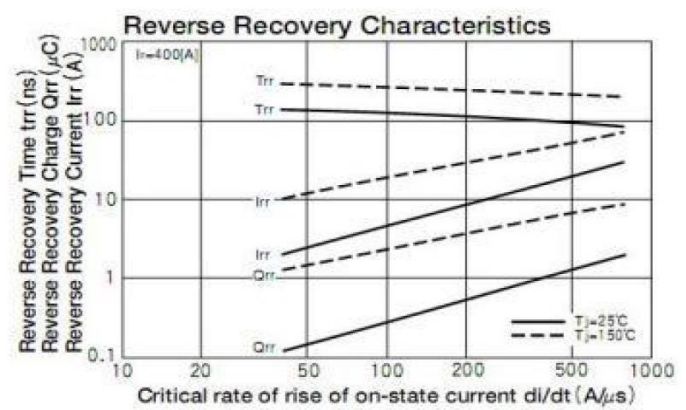
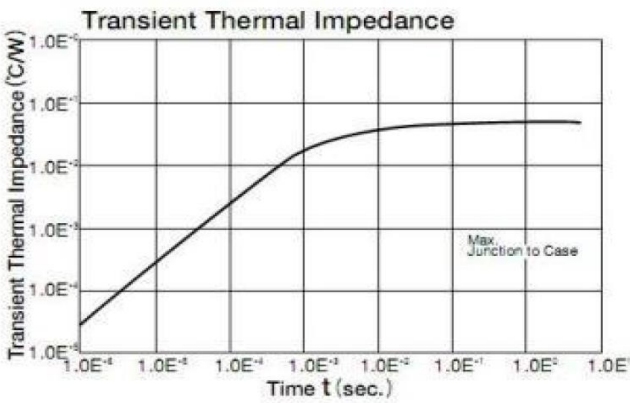
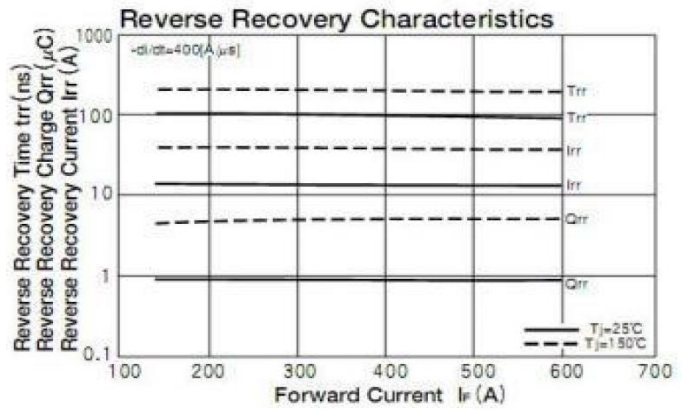
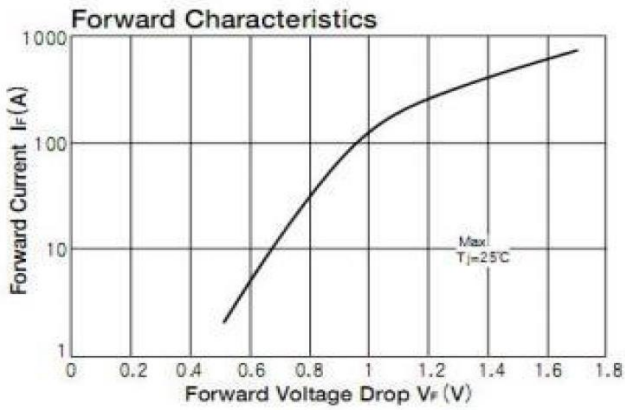
- Ultrafast reverse recovery time
- Soft reverse recovery characteristics
- Low reverse recovery loss
- Low forward voltage
- High surge current capability
- Low inductance package



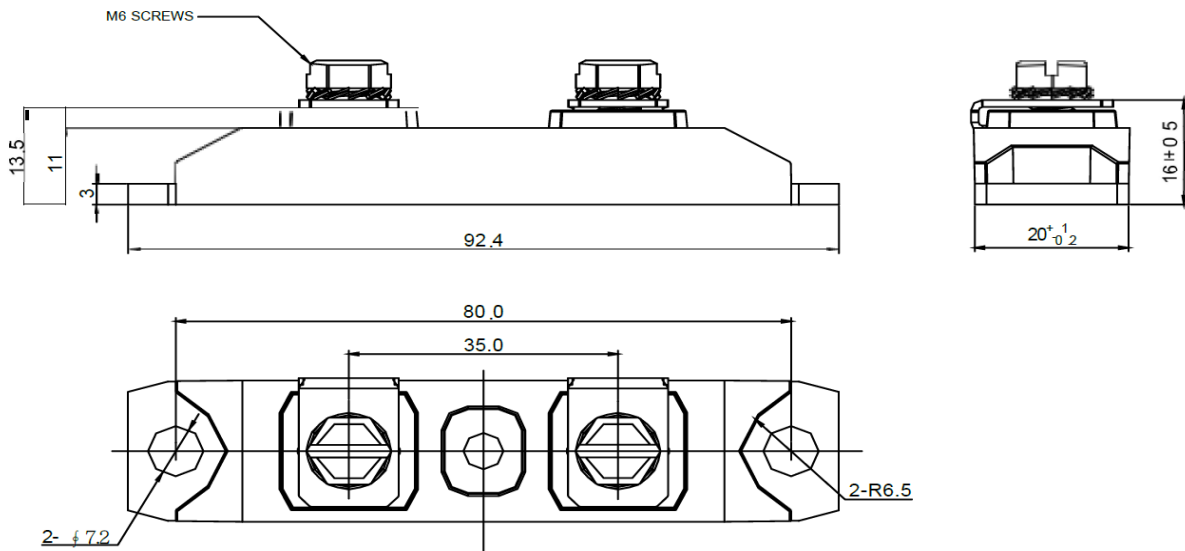
Typical applications:

- Inversion welder
- Uninterruptible power supply (UPS)
- Plating power supply
- Ultrasonic cleaner and welder
- Converter & chopper
- Power factor correction (PFC) circuit

Symbol	Characteristics	Test Conditions	Value			Unit
			Min	Typ	Max	
V_{RRM}	Maximum DC reverse voltage				600	V
V_{RMS}	Maximum RMS reverse voltage				420	V
V_{DC}	Maximum DC blocking voltage				600	V
$I_{F(AV)}$	Forward average current	$T_C \leq 125^\circ\text{C}$			400	A
I_{FSM}	Non-repetitive forward surge current	$t = 10\text{ms}, 50\text{Hz}, T_C = 25^\circ\text{C}$			2800	A
V_F	Forward voltage	$I_F = 200\text{A}, T_j = 25^\circ\text{C}$			1.30	V
I_R	DC reverse current	$V_R = V_{RRM}, T_j = 25^\circ\text{C}$			20	μA
		$V_R = V_{RRM}, T_j = 125^\circ\text{C}$			3	mA
t_{rr}	Maximum reverse recovery time	$I_F = 0.5\text{A}, I_R = 1\text{A}, I_{RR} = 0.25\text{A}$			150	ns
$R_{th(j-c)}$	Thermal resistance junction to case	per diode			0.19	$^\circ\text{C}/\text{W}$
F_M	Mounting torque			3.4		N·m
	Mounting torque			2.1		
	Terminal torque			3.4		N·m
T_j	Operating Temperature		-40		+175	$^\circ\text{C}$
T_{stg}	Storage Temperature		-40		+125	$^\circ\text{C}$
W_t	Weight			80		g
Outline	M2					



M2 Package



Dimensions in mm

S.CO.M.E.S. Srl

Via Enrico Mattei, 6/8 - 26283 - Castiglione d'Adda (LO) - Italy

Phone: +39 0377 901243 Fax: +39 0377 900206

Scomes Srl reserves the right to change any specification without notice